

SVTS B Series

Terminals Slip Rings

SVTS B Series

Terminals Slip Rings



IP 65



Long-life



Power & signals



The most compact solution with fibre brush technology.

Thanks to the multiple contact points, the Terminals B Series Slip Rings ensures longer life due to the low contact wear rates, while granting low contact resistance.

Specially designed for intensive use at high speed and to transmit power and sensitive signals, like thermocouple ones, these rotary joints are particularly suitable for use on flowpack packaging machines ensuring a compact and reliable solution; the use of terminals type connectors avoids the use of welds that may affect the reading of thermocouple signals.

Moreover, the IP65 version makes it washable, delivering protection against low pressure jets if watered from all directions.

Benefits

Electrical power & signals in one unit

Compact

Long lifetime

Easy connection (Faston connectors)

Cost-effective

Water resistant (IP65)*

Main applications

Flowpack machines

Hose & cable reels

Medical / pharmaceutical

Packaging

Process control

Rotating tables










Converting

Wind turbines

*Optional

Product code (go to page 9 for the detailed coding system)

SVTS B   -  -  -   /   -     /     -   -   

- B Series  Model  IP grade¹  Flange type  Power circuits  Signal circuits
-  Cable length (brush side)  Cable length (ring side)  Temperature range²  Special options

¹ IP51 [S]; IP65 [U]

² Standard [ST]; Extended [ET]

Features

Voltage	
Power	400 VAC / 400 VDC
Signals	240 VAC / 240 VDC
Dielectric voltage strength	500 VAC @ 60 Hz @ 60 sec
Insulation resistance	> 1000 MΩ / 500 VDC
Dynamic contact resistance	< 10 mΩ
Nominal speed	400 rpm
Bearings	High-precision stainless steel ball bearings
Housing	ABS; Aluminium; Stainless steel
Contact	Gold-gold (B01, B02); precious metals (B03, B04)
Temperature	-20°C to +80°C
Protection	IP51; IP65*
Expected lifetime	10 ⁸ revolutions (depending on speed, environmental conditions and size)

*Optional

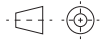
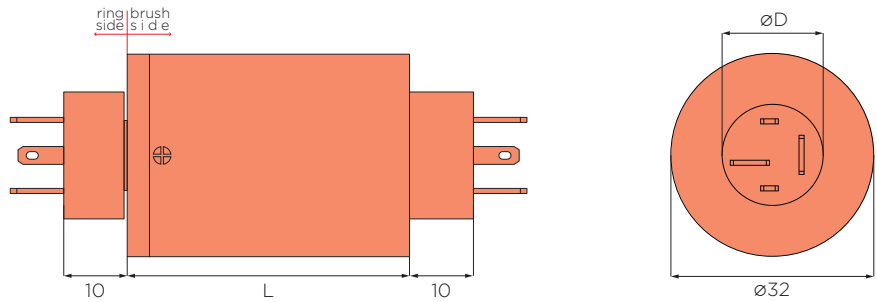
Combinations

Electric
Signals
Power

Customizations

Cables	Mechanical design	Materials
--------	-------------------	-----------

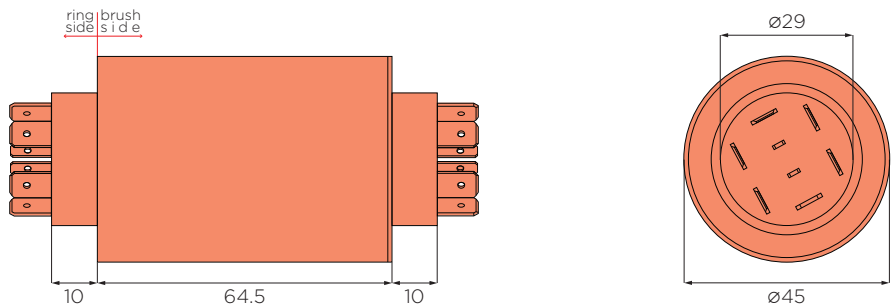
SVTS B 01



Model	Number of circuits					Dimensions		Terminals	
	Total	Power		Signals		D	L	Fastons	
		14A	20A	2A	5A			Power	Signals
SVTS B 01-S-A-02/00	2	2	-	-	-	16	28	0.8x6.3	-
SVTS B 01-S-A-03/00	3	3	-	-	-	16	28	0.8x6.3	-
SVTS B 01-S-A-02/02	4	2	-	2	-	16	28	0.8x6.3	0.8x2.8
SVTS B 01-U-A-02/00	2	-	2	-	-	20	44.5	0.8x6.3	0.8x2.8
SVTS B 01-U-A-03/00	3	-	3	-	-	20	44.5	0.8x6.3	0.8x2.8
SVTS B 01-U-A-02/02	4	-	2	-	2	20	44.5	0.8x6.3	0.8x2.8
SVTS B 01-U-A-02/03	5	-	2	-	3	20	44.5	0.8x6.3	0.8x2.8

IP65

SVTS B 02

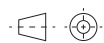
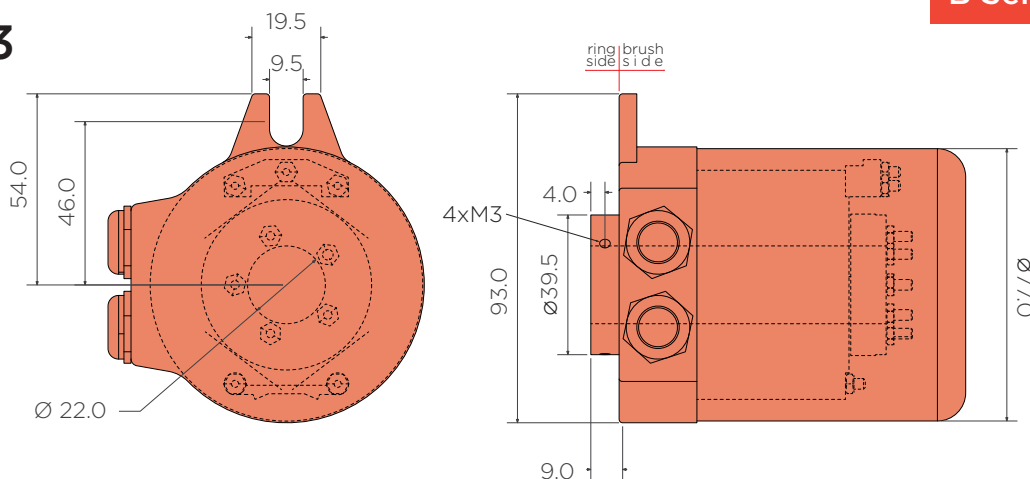


Model	Number of circuits					Terminals	
	Total	Power		Signals		Fastons	
		14A	20A	2A	5A	Power	Signals
SVTS B 02-S-A-06/00	6	-	6	-	-	0.8x6.3	-
SVTS B 02-S-A-06/02	8	-	6	-	2	0.8x6.3	0.8x2.8

All dimensions in millimeters, unless otherwise specified

+NEW

SVTS B 03

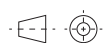
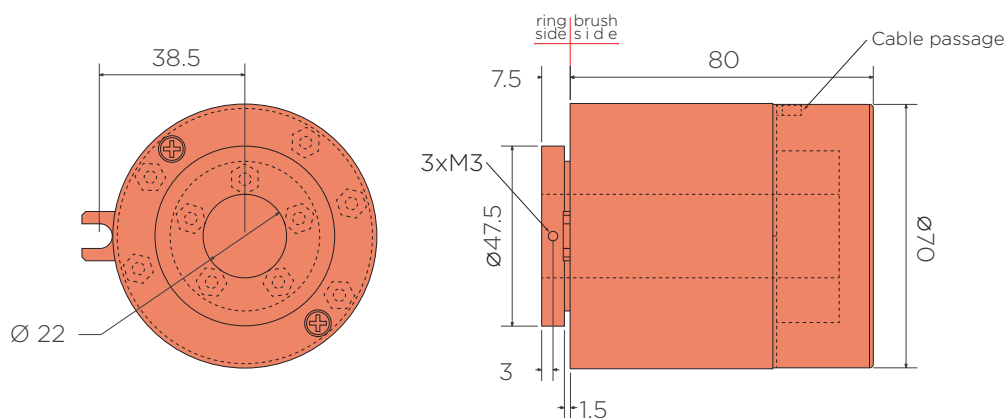


IP65 once installed

Model	Number of circuits		Power		Terminals Screw connections
	Total		20A	2A	
SVTS B 03-U-A-02/00	2		2	-	2xM5
SVTS B 03-U-A-03/00	3		3	-	3xM5
SVTS B 03-U-A-02/02	4		2	2	4xM5
SVTS B 03-U-A-03/02	5		3	2	5xM5

+NEW

SVTS B 04



Model	Number of circuits		Power		Terminals Screw connections
	Total		20A	2A	
SVTS B 04-S-A-02/00	2		2	0	M4
SVTS B 04-S-A-02/02	4		2	2	M4
SVTS B 04-S-A-03/00	3		3	0	M4
SVTS B 04-S-A-03/02	5		3	2	M4

All dimensions in millimeters, unless otherwise specified